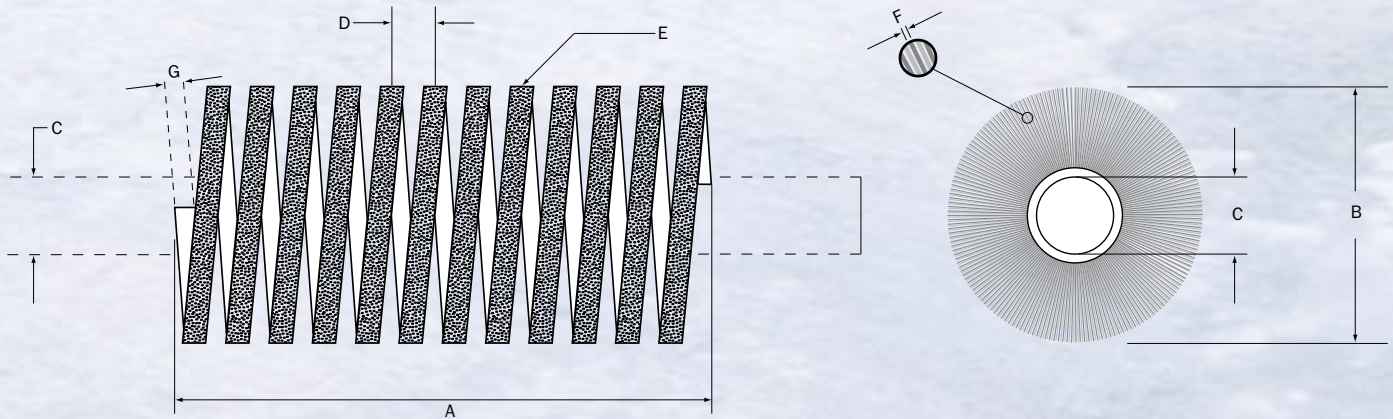




## Spiral Wound Brush – Coil Only



**A.** Brush Face: \_\_\_\_\_ **B.** Brush OD.: \_\_\_\_\_ **C.** Brush ID.: \_\_\_\_\_

**D.** Coil Spacing: \_\_\_\_\_ **E.** Fill Material: \_\_\_\_\_ (nylon, wire, etc.)

**F.** Dia. of Fill Mat'l: \_\_\_\_\_ Colour of Fill: \_\_\_\_\_ Crimped: \_\_\_\_\_

Level: \_\_\_\_\_ **G.** Strip Backing Size: \_\_\_\_\_

How is brush fastened to shaft: TANGS  WELD  Operating RPM: \_\_\_\_\_

Wet or Dry Application: \_\_\_\_\_ Quantity: \_\_\_\_\_ Handling: \_\_\_\_\_

Any additional information or notes: \_\_\_\_\_

Your Company Name: \_\_\_\_\_ Phone: \_\_\_\_\_

Your Name: \_\_\_\_\_ Title: \_\_\_\_\_ Fax: \_\_\_\_\_

Is a drawing available: \_\_\_\_\_